

## PowerBird Pro (Gold Edition) Rivet Tool

Battery operated · Places up to Ø8.0 mm rivets

### EVEN MORE POWERFUL

Thanks to the brushless motor and the 20,000 N setting force the **PowerBird Pro (Gold Edition)** is even more powerful and can even set G-Bulb and PolyGrip blind rivets up to Ø 6.4 mm in any material.

The optional Auto-reverse function additionally shortens the pulling process, ensuring **the PowerBird Pro (Gold Edition)** is immediately ready for operation. The stroke has been substantially increased to 25 mm for the purpose of setting particularly long rivets.

### EXTREMELY FAST, VIRTUALLY NO WEAR

The motor of the **PowerBird Pro (Gold Edition)** has an extremely long service life, is virtually non-wearing and reliably guarantees the fastest setting frequencies.

### WELL PROVEN & ERGONOMICALLY DESIGNED

Features the same ergonomic design as the Taurus series, already proven a thousand times over.

### Technical Data

- Setting Force** : 20,000 N
- Weight** : 2.1 kg with battery (2.0 Ah)
- Drive** : 18V Brushless DC motor (BLDC)
- Stroke** : 25 mm

### Placing Capability

Blind rivets up to Ø 6.4 mm all materials, and Bulb-Tite up to Ø 7.7 mm (max. mandrel Ø 4.3 mm)

### Nosepiece Assignment

Power per battery charge

Size ø	Material	Approx pc / battery charge	Nosepiece	Part No.
4.8 & 5.0	Steel / Alu	1,800	17 / 32	143 4975
	Stainless Steel	1,600	17 / 36	143 4977
6.0	Aluminium	1,000	17 / 36	143 4977
	Steel	650	17 / 40	143 4999
6.0	Stainless Steel	600	17 / 40	143 4999
	Alu / PG-Alu	600	17 / 45	143 4860
6.4	Steel	550	17 / 45	143 4860
	Stainless Steel	500	17 / 45	143 4860
8.0	Aluminium	550	17 / 45	143 4860

### For Bulb-Tite blind rivets

4.0	Aluminium	1,300	17 / 26 BT*	143 4985
5.2	Aluminium	1,200	17 / 32 BT*	143 4986
6.3	Aluminium	800	17 / 42 BT*	143 4988
	Steel	550	17 / 42 BT*	143 4988
7.7	Monel	600	17 / 42 BT*	143 4988
	Aluminium	700	17 / 48 BT*	143 4989

\*Sold separately

The name of the nosepiece (e.g. 17/32) can be found directly on the nosepiece.



### SYMBOLS FOR BATTERY AND CHARGER



CAS battery  
18 V/2.0 Ah  
(Li-Ion) in scope  
of delivery



2 CAS batteries  
in scope of  
delivery



1 Charger  
18 V Li-Ion  
in scope of  
delivery



Tool is delivered  
in the L-BOXX



Tool is delivered  
in a carton



Part no: 167 9664



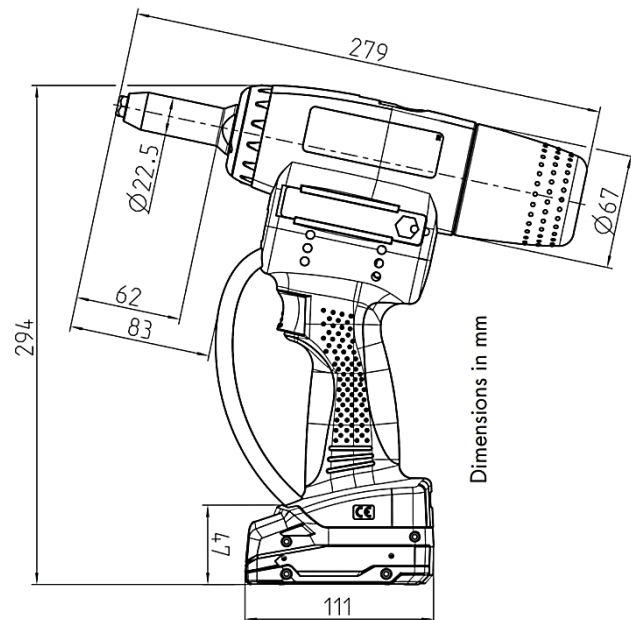
Part no: 167 9665



Part no: 167 9666



Part no: 167 9667



## MAXIMUM POWER – FOR EVERY APPLICATION

The CAS battery packs are particularly long-lasting and powerful. Depending on the design, they are based on Li-Ion or LiHD technology. At GESIPA<sup>®</sup> the blind riveting and blind rivet nut setting tools can be purchased as standard with 2.0 Ah battery packs - the compact 4.0 Ah battery is also available as an accessory. But of course all other available CAS battery packs can also be used with our Bird Pro devices.



### LI-ION BATTERY PACK 18V

- Ultra M technology: Intelligent battery management for long-lasting battery packs
- Patented "AIR COOLED" charging technology
- Permanent Electronic Single Cell Protection (ESCP) when charging, for particularly long life.
- Processor-controlled charge and discharge management
- Capacity display with almost no self-discharge
- Capacity display with almost no self-discharge
- One battery pack for everything. 100% compatibility with all 18 V machines and chargers of the CAS partners



### THE OPTION: LiHD BATTERY PACK 18V

- More power with the new LiHD cell technology together with a newly developed battery pack
- High-current power rails and enlarged contacts
- 3 times better conductivity with cell connectors made of a special copper alloy
- Optimum protection against dirt with fully-sealed and protectively coated electronics, as well as optimum sealing in the lid design
- Cells protected by rubber buffers
- More usable cell energy means less frequent charging
- External rubber coating of the battery pack ensures safe and non-slip positioning and also acts as shock protection

